

Instructions for combining **AC•THOR / AC•THOR 9s / AC ELWA 2** with **Deye via Modbus RTU**



Note!

- If the RS485 communication connection on the inverter is still being used by other devices, communication with my-PV is not reliably possible!
- A connection with the AC ELWA-E is not possible as it does not have Modbus RTU (RS485) communication!
- **This setting is only compatible with 3-phase inverters!**

1 Default settings on the my-PV device

Before commissioning, read the assembly instructions delivered with the device and the operating instructions available online.

The AC•THOR operating instructions can be found [here](#).

The AC ELWA 2 operating instructions can be found [here](#).

2 Connection to the my-PV device (Modbus RTU)

The my-PV device is connected directly to the Deye inverter via shielded twisted-pair cable (for example CAT-Cable).



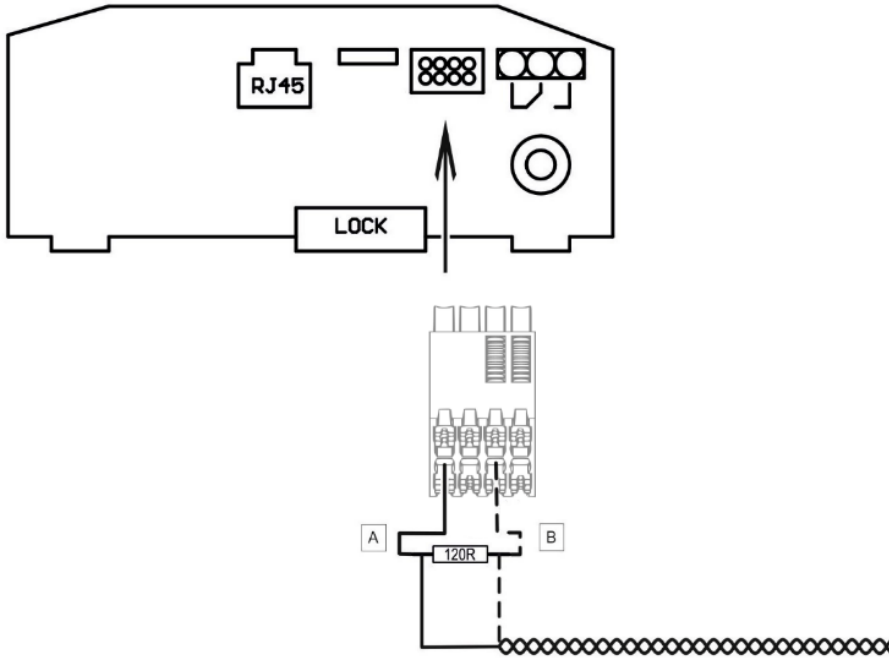
Note!

- Use a shielded cable with twisted wires (e.g. CAT cable) and connect the shield to earth (GND) at one end!
- Fit the RTU-BUS with a 120 Ohm terminating resistor!
- When controlled via Modbus RTU, the M7 operating mode cannot be used with the AC•THOR!

- A meter must be connected to the inverter in order to query it. Otherwise, querying the inverter will not return any data.

2.1 AC•THOR / AC•THOR 9s

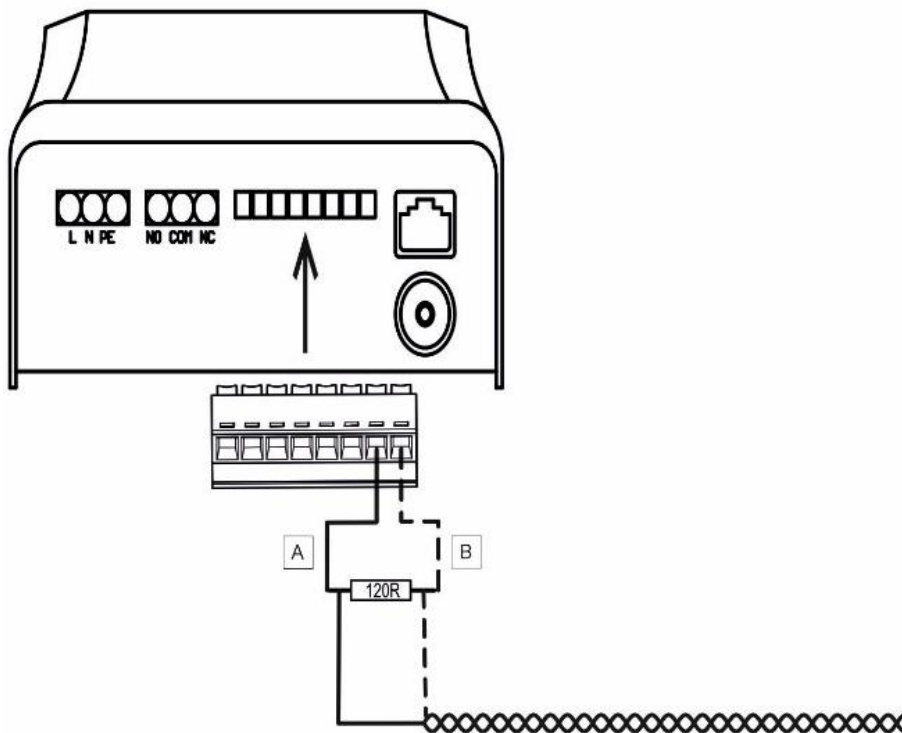
Three pins on the 8-pin connector of the AC-THOR are the Modbus RTU communication connection. The 120-ohm terminating resistor is not included in the scope of delivery and must be purchased separately.



2.2 AC ELWA 2

On the AC ELWA 2, the connection is labelled RS485, A, B, GND.

The 120 Ohm terminating resistor is included in the scope of delivery of the AC ELWA 2



3 Connection to the Deye inverter



Note!

The following information and illustrations have been taken from the Deye inverter user manual. my-PV cannot guarantee the accuracy of the information or that the views are up to date.

4 Settings on the Deye inverter



Note!

The following information was provided to my-PV by Deye. my-PV cannot guarantee the accuracy or timeliness of this information.

5 Settings on the my-PV device

For Deye the communication parameters are preset from AC•THOR firmware a0022100, for AC ELWA 2 from firmware e002200.

On the display, select "**Deye (Modbus RTU)**" under Control for the control type.



Alternatively, the settings can also be configured via the web interface. This requires additional integration of the my-PV device into the local network.

If the system has a battery storage unit and you want to prioritize charging the battery storage unit, we recommend leaving the Control target at -150 W. Otherwise, we recommend setting it to -50 W.

Subject to changes and printing errors.



my-PV GmbH
Betriebsstraße 12
4523 Neuzeug
www.my-pv.com